

HM-610 Inline UVSA Sensor Quick Start Guide

Standard Accessories

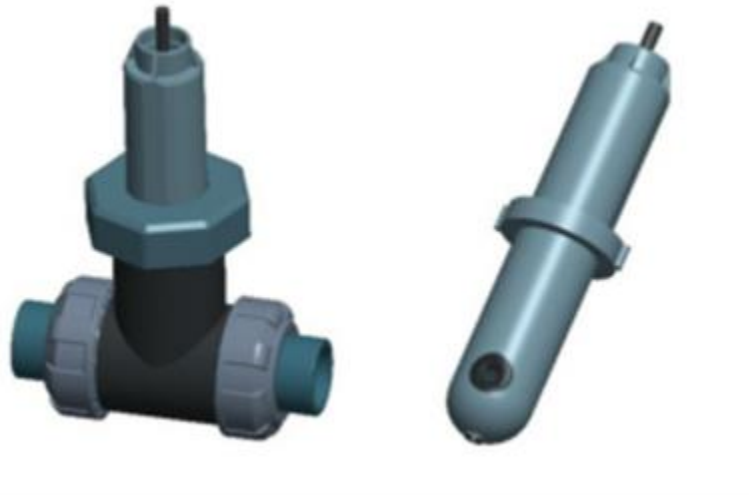
- Tee Set (tee, O-ring, and nut)
- Bulkhead Cable
- The Instrument Manual is available from www.pyxis-lab.com/support

Optional Accessories

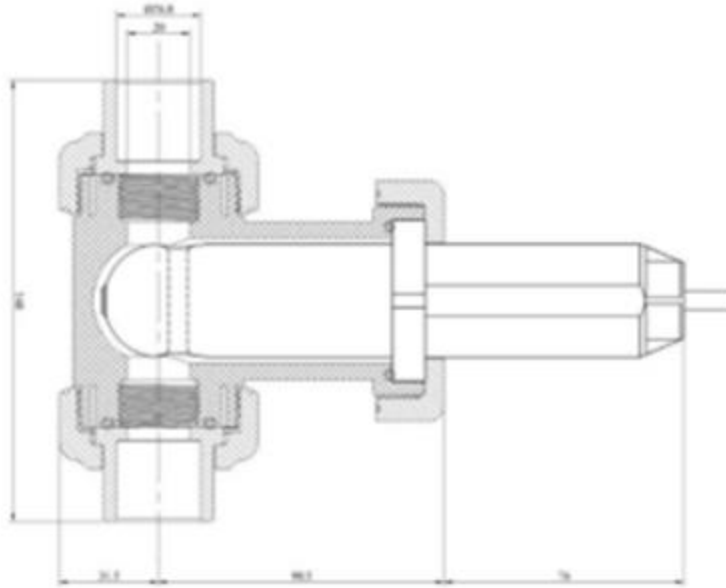
- USB-RS485 Adapter (Item Number: MA-485)
- Bluetooth Adapter (Item Number: MA-485B)
- 1.5inch OD O-ring (Item Number: MA-150)
- Extension cable – 50 feet (PN:50705)
- Extension cable – 100 feet (PN:5070)

Installation

It is recommended to install the HM-610 probe tee in the pipe system where sample water flow is upwards. Place the O-ring on the HM-610 probe. Insert the HM-610 probe into the tee. Make sure that the fluidic channel in the HM-610 probe is aligned with the sample flow direction.



HM-610 with Tee Set



HM-610 Dimensions

HM-610 Wiring

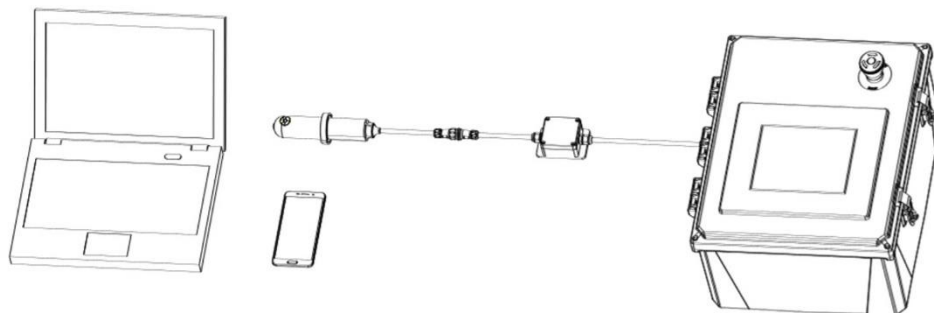
Follow the wiring table below to connect the HM-610 probe to a controller.

Wire Color	Designation
Red	24 V
Black	Power ground
White	4-20 mA +
Green	4-20 mA - Internally connected to the power ground
Blue	RS-485 A
Yellow	RS-485 B
Clear	Shield, solution ground

HM-610 Setup

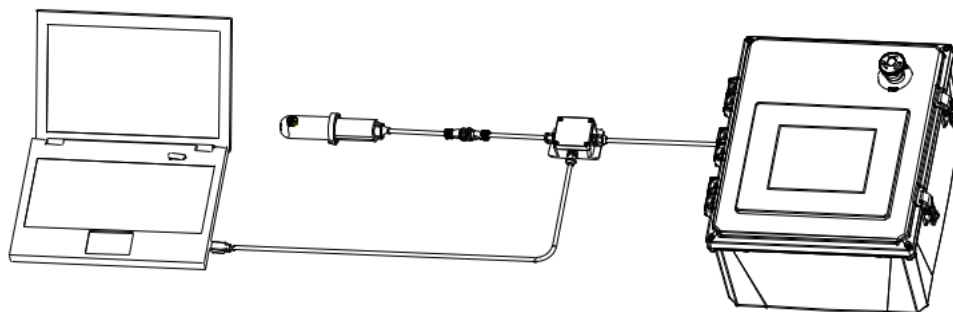
Connect via WiFi/Bluetooth Adapter

The connection between a computer and HM-610 probe via Bluetooth/WiFi adapter (P/N: MA-W8). A smart phone app is provided to connect the HM-610 probe to your smart phone via Bluetooth interface.



Connect via USB

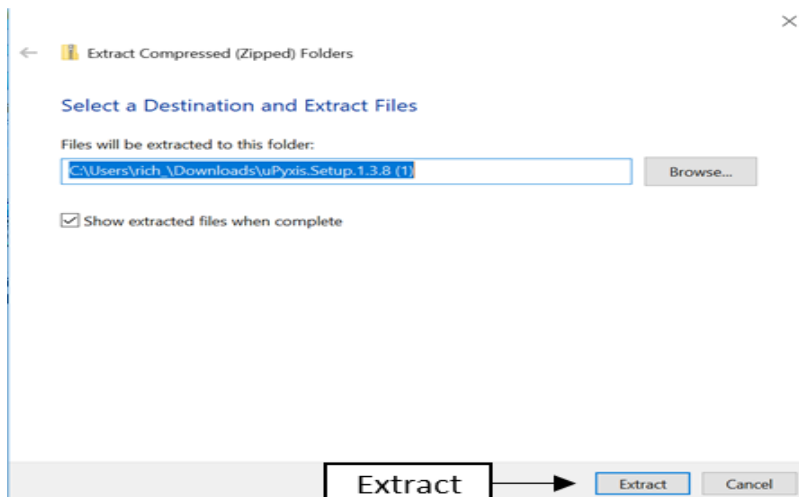
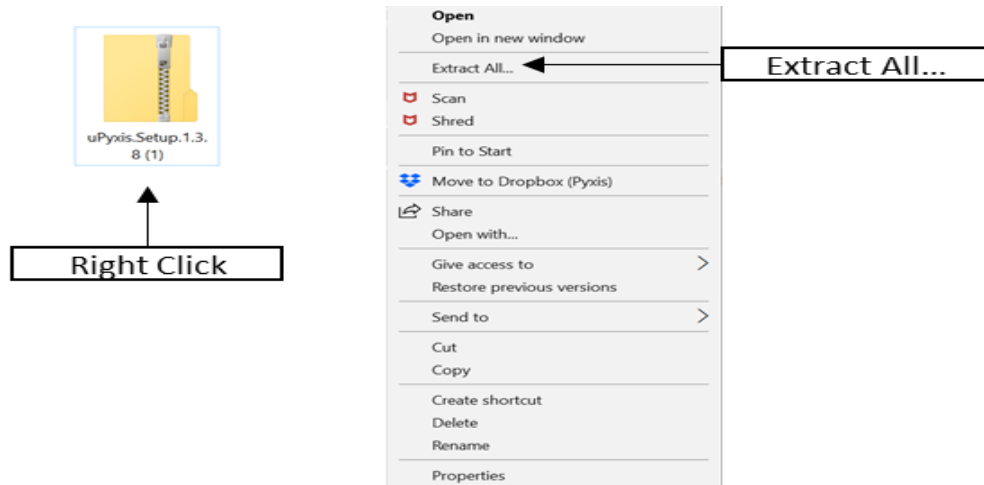
Figure 3 shows the connection between a computer and the HM-610 probe via USB-RS485 adapter. Use the USB-RS485 adapter provided by Pyxis Lab Inc. (Item Number: MA-485). Using other USB-485 adapters may result in permanent damage of the HM-610 probe communication hardware.



Setup Using uPyxis Desktop

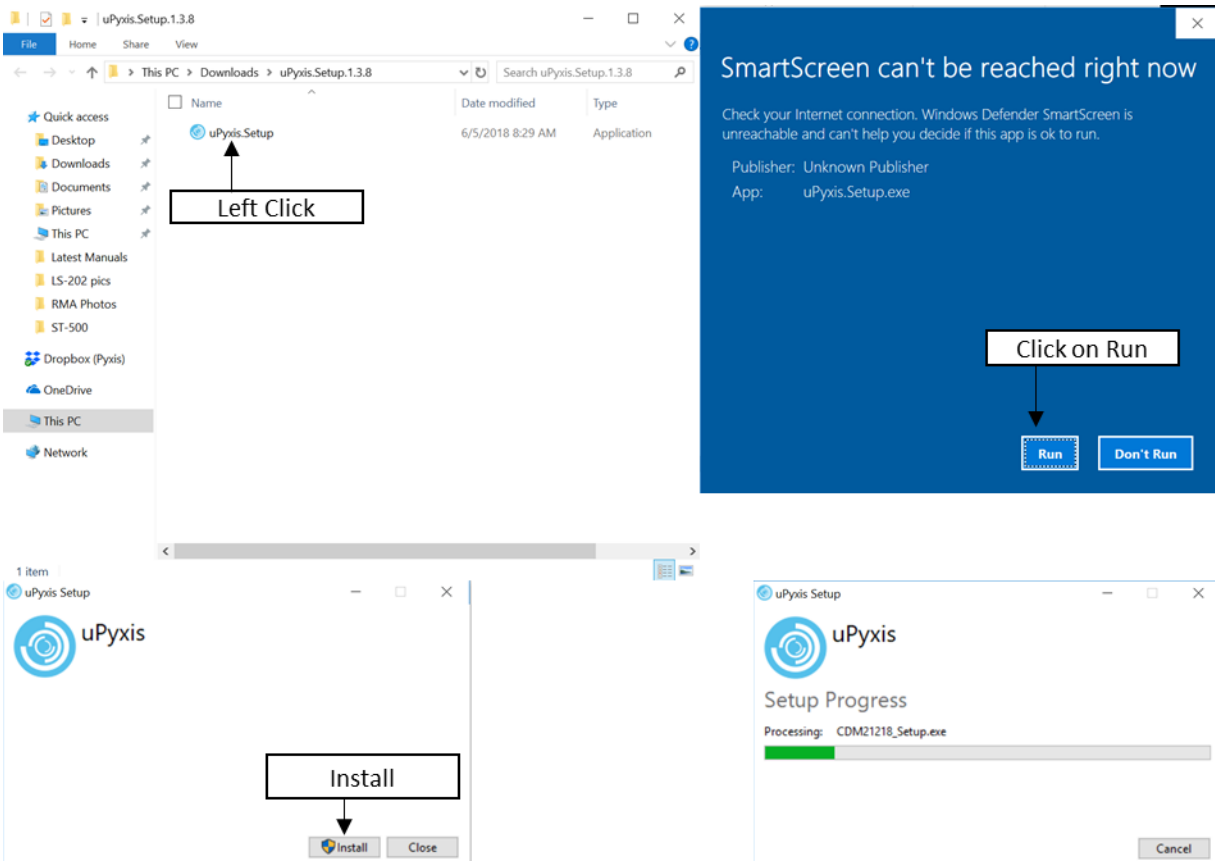
UnZip uPyxis Desktop App

Find your saved uPyxis Setup 1.4.2 file, **Right Click on the file**, **Extract All**, and then **Extract**.



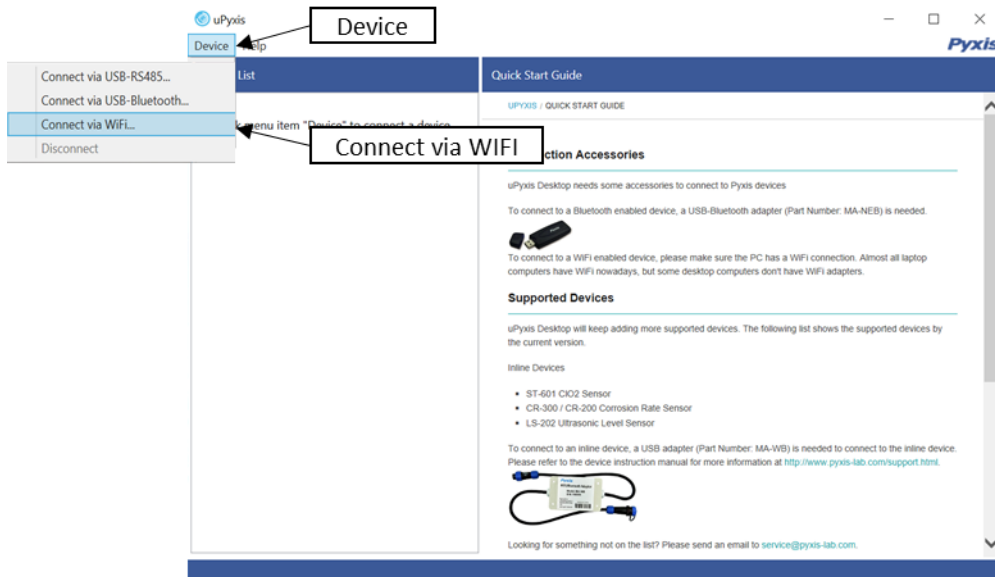
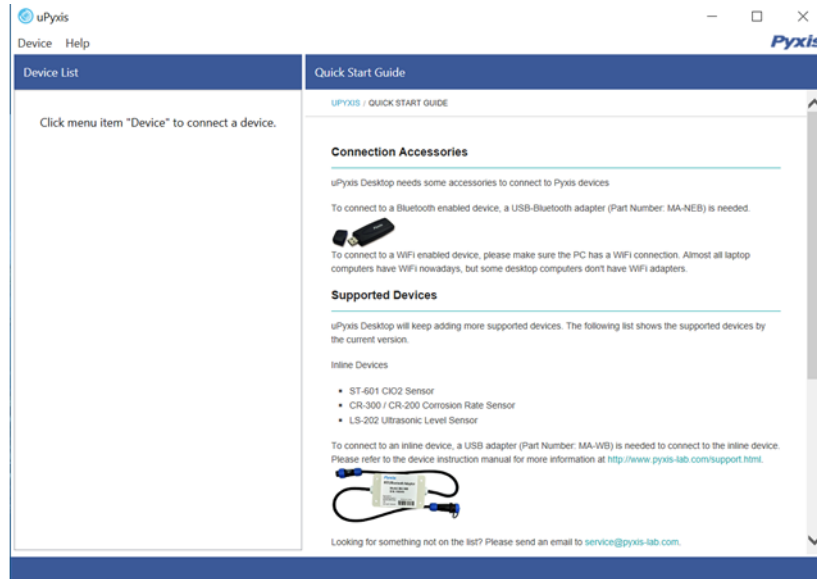
Installing uPyxis Desktop App

Once the uPyxis Desktop App has been extracted. Find the extracted **uPyxis Setup** file and left click, click on **Run**, and then click **Install**. After install has been clicked the Setup Progress will continue. Follow the step during installation process.



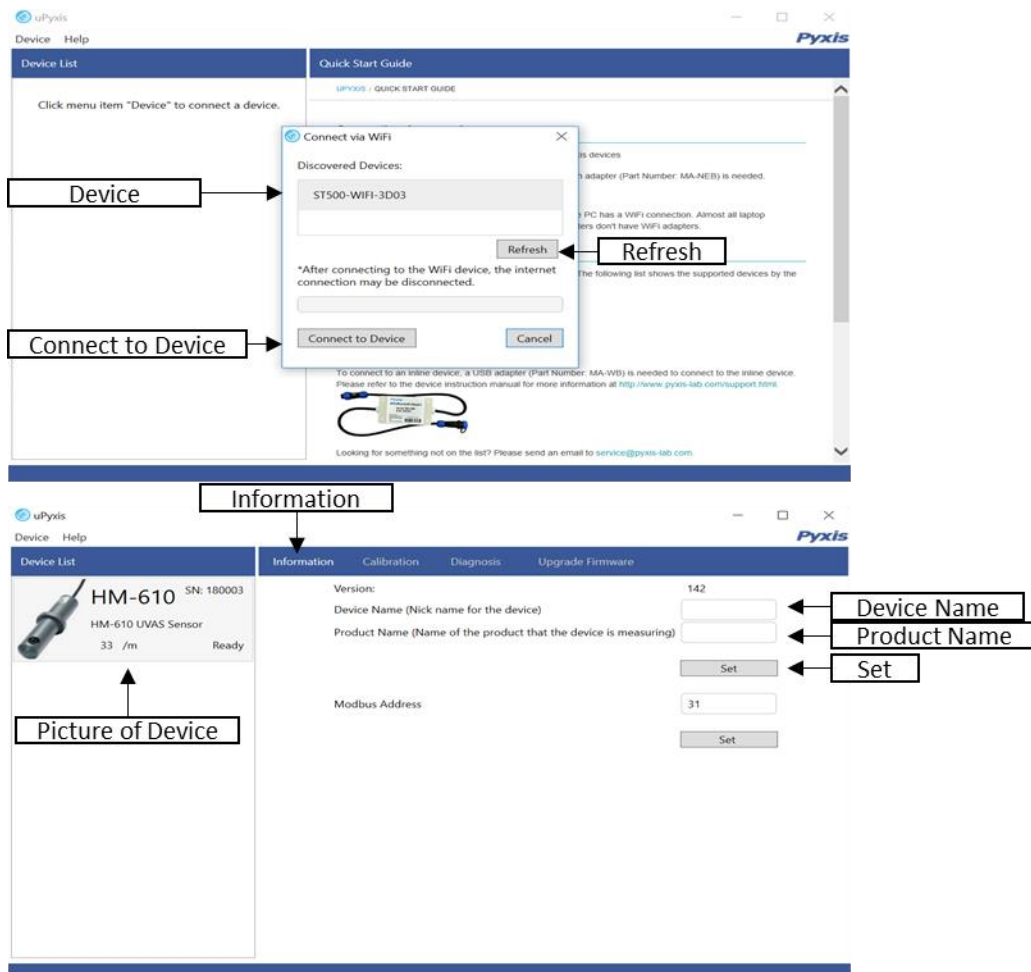
Connecting to uPyxis Desktop App

Open **uPyxis Desktop App** on your desktop. When the desktop app opens, to find your device, click on **Device**, then **Connect via WiFi**.



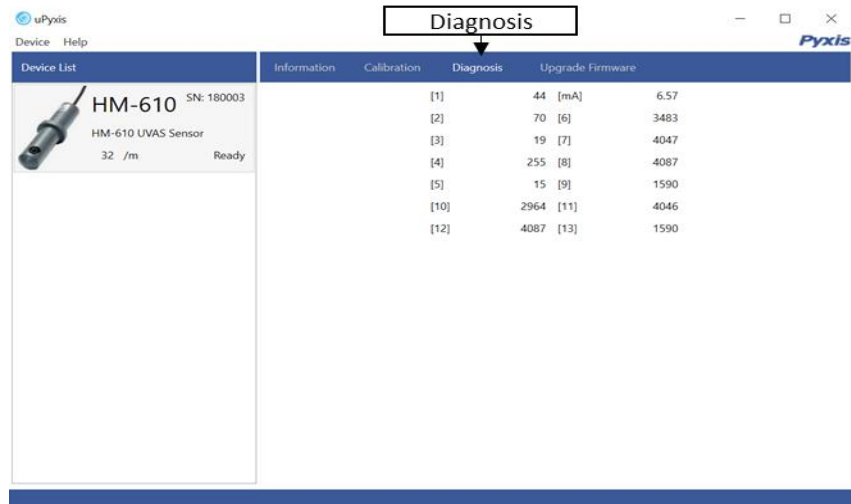
Connecting to Device

When connected via WiFi, in the Discovered Devices box there will be the device product name (If no device product name in the Discovered Devices box, click **Refresh**). If device product name shows in the box, then click on **Connect to Device**. Once connected to the device on the main screen a picture of the device will appear on the top left corner. On the main screen you can set the information description for Device Name and Product Name, then click **Set** to save.



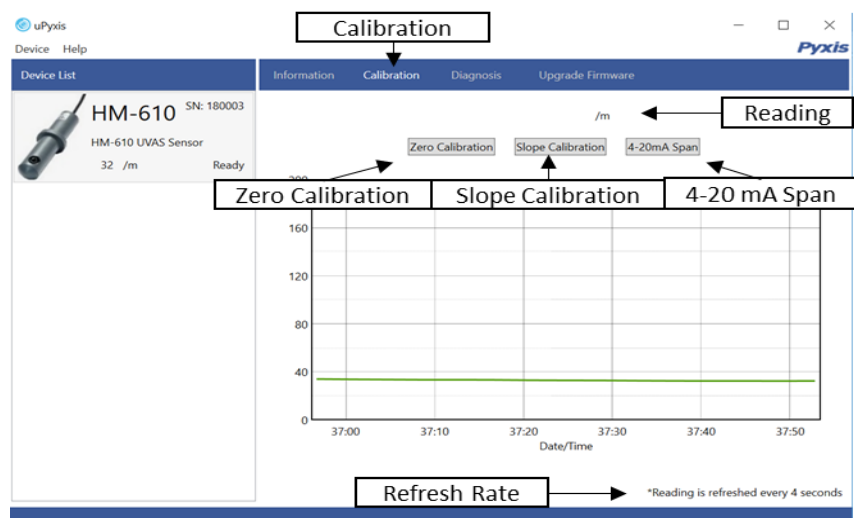
Diagnosis Screen

After the device has been calibrated and installation has been completed. To check diagnosis, click on **Diagnosis**. When in the Diagnosis screen you can view the Diagnosis Condition of the device.



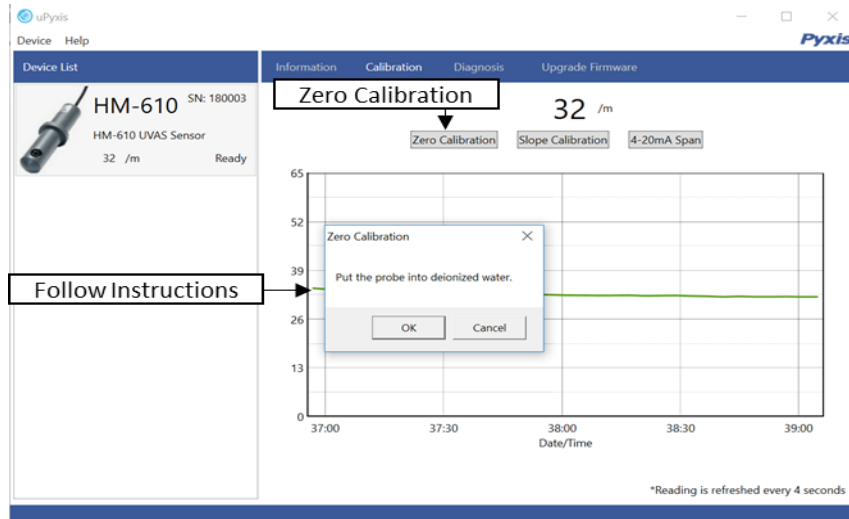
Calibrating Device

To calibrate the device, click on **Calibration**. On the Calibration screen there are three calibration tabs, **Zero Calibration**, **Slope Calibration**, and **4-20 mA Span**. The screen does also display the reading of the device. The reading refreshed rate is every 4 seconds.



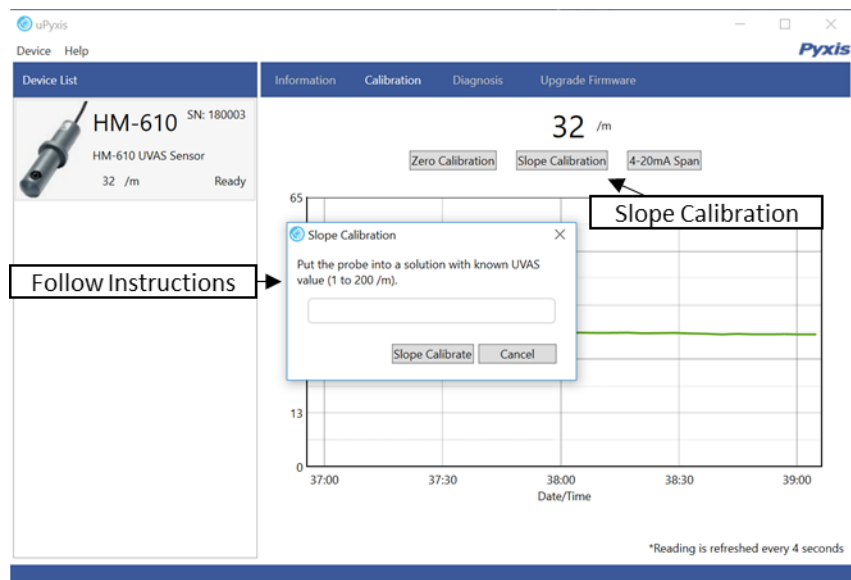
Zero Calibration

To perform Zero Calibration, click on **Zero Calibration**. Then follow the instruction on how to calibrate, then click **Ok**.



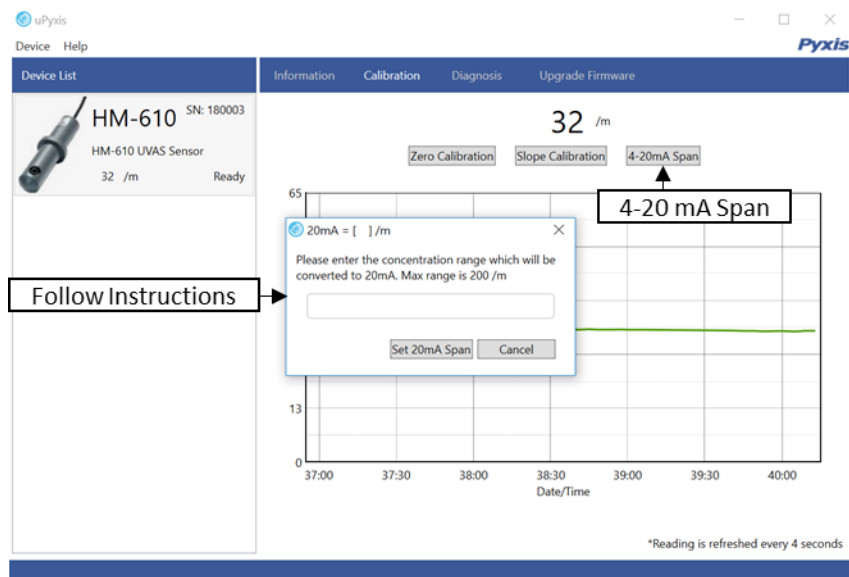
Slope Calibration

To perform Slope Calibration, click on **Slope Calibration**. Then follow the instruction on how to calibrate, then click **Slope Calibration**.



4-20 mA Span

To perform 4-20 mA Span, click on **4-20 mA Span**. Then follow the instruction on how to calibrate, then click 4-20 mA Span.



For more information installation process reference HM-610 Instruction Manual.