

# UC-50

## General Display and Data Logging Terminal

### Specifications

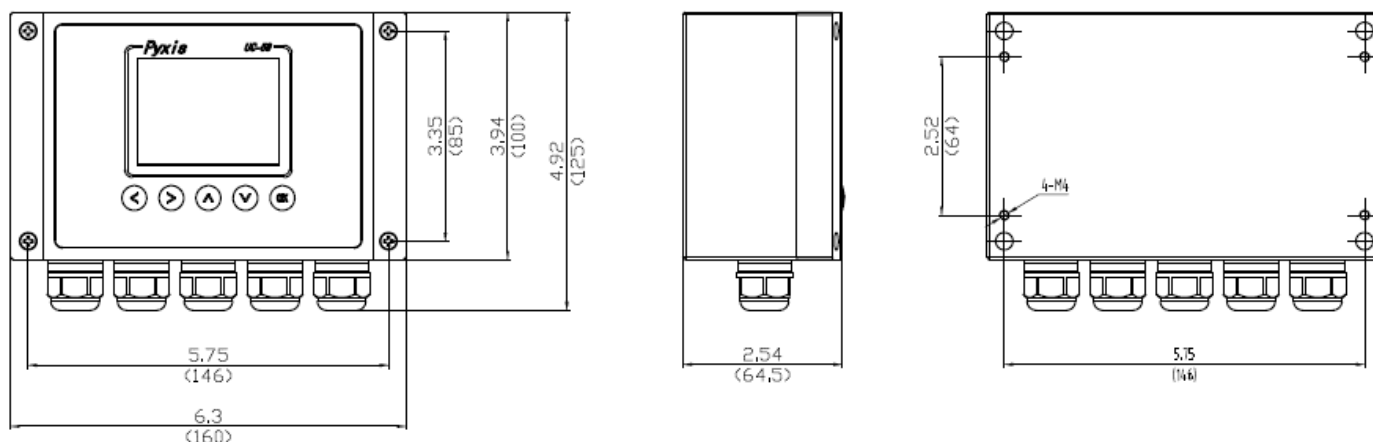
The Pyxis UC-50 is a preconfigured push-button color micro-display and data logging terminal that can connect any Pyxis sensor via RS-485, 4-20mA or BlueTooth 5.0 connectivity. This microprocessor-based display requires no configuration when connected to Pyxis inline sensors. When Pyxis sensors are landed via RS-485 modbus, the UC-50 immediately recognizes the sensor for live sensor value, color trend charts as well as sensor diagnostics and calibration interface while logging data for USB download. The UC-50 provides RS-485 and 1x 4-20 mA outputs as well as one Relay output for connection to additional controllers, PLC or DCS systems.



### Features

- 2.8-inch color screen with multiple language options
- Readable in outdoor applications
- 1x RS-485 for input and 1x RS-485 for output, supporting Modbus-RTU for Pyxis sensors
- 1x 4-20 mA analog input (<5W load) and 1x 4-20 mA analog output
- 1x relay outputs with relay trigger condition set by user
- Supports all Pyxis online sensors for calibration and diagnosis
- Bluetooth 5.0 Connectivity for Pyxis Bluetooth wireless sensor input (CR-200 / LS + LSP Series)
- One-year data storage and USB data upload
- IP-65

## Dimensions



## Specifications

Item	UC-50
P/N	43007
Power	110/220VAC 50/60 Hz, 0.6A
Display	2.8" Color 320 x 240 Resolution
Output	1 x 4-20 mA / RS-485 Modbus-RTU
Input	1 x 4-20 mA / RS-485 Modbus-RTU
Relay Output	One channel relay output – 5Watt Maximum
Data Storage	32 M Flash
USB	1 x USB host for data downloading
Dimension	6.3 inch L x 3.9 inch W x 2.6 inch D
Weight	4.6 lbs / 2.1 kg
Operation Temperature	32 – 122 °F (-0 – 50 °C)
Storage Temperature	-4 – 158 °F (-20 – 70 °C)
Humidity	5 – 95% No Condensation
Protection	IP-65
BlueTooth	BlueTooth 5.0 - Capable of Reading Pyxis Bluetooth Sensors
Regulation	CE, RoHS

## Order Information

UC-50 (UC-50 Display & Data Logging Terminal-Single Channel)

UC-Panel (UC-50 or UC- 100 Premounting Service on Back Panel)

## P/N

43007

UC-Panel